



L1512D

Luminaires
For Use In Hazardous Locations



Net Weight: 18.3 kg (40.3 lb)



Protection

- Class I, Division 1
Groups B, C and D
- Class II, Division 1
Groups E, F and G
- Class III

Standards

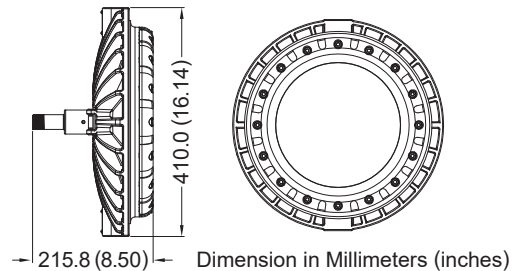
- UL 844
- UL 1598 Luminaires
- UL 8750
- CSA C22.2 No. 137-M1981
- CSA C22.2 No. 30-M1986
- CSA C22.2 No. 25-1996
- CSA C22.2 No. 250.0
- CSA C22.2 No. 250.13

Light Features

- Higher wattage up to 240W
- Applicable to high temperature environment
- Different light source to choose from

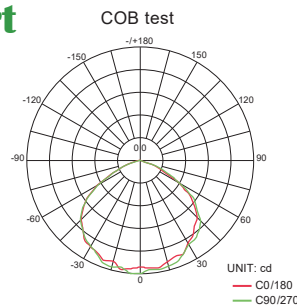
Technical Data

Rated Voltage ($\pm 10\%$)	COB: 120V / 277V / 347V / 480V, DOB: 120V / 277V AC														
Watts ($\pm 10\%$)	140W / 160W / 180W / 200W / 220W / 240W														
Amps	140W 120V: 1.17A, 277V: 0.51A, 347V: 0.40A, 480V: 0.29A / 160W 120V: 1.33A, 277V: 0.58A, 347V: 0.46A, 480V: 0.33A / 180W 120V: 1.50A, 277V: 0.65A, 347V: 0.52A, 480V: 0.38A / 200W 120V: 1.67A, 277V: 0.72A, 347V: 0.58A, 480V: 0.42A / 220W 120V: 1.83A, 277V: 0.79A, 347V: 0.63A, 480V: 0.46A / 240W 120V: 2.00A, 277V: 0.87A, 347V: 0.69A, 480V: 0.50A,														
Color of LED Light	3000K (Warm White) / 5000K (Cool White)														
Ambient Temperature	CID1 : -25°C ~ +40°C, T5 / -25°C ~ +55°C, T4A CIID1: 40°C, T4A / 55°C, T4														
Power Factor	$\cos \geq 0.9$, $\cos \geq 0.87$ (480V)														
CRI	Cool White ≥ 70 / Warm White ≥ 80														
Lumen ($\pm 10\%$)	COB	140W	160W	180W	200W	220W	240W	DOB	140W	160W	180W	200W	220W	240W	
		3000K	11911	13750	15504	17050	18732	20435lm	3000K	10663	11395	12840	14175	15088	16411lm
		5000K	12339	14003	15811	17505	19300	21006lm	5000K	11556	13325	14766	16503	18088	19689lm
Beam Angle	X-110° / Y-110°														
Frequency	50 / 60 Hz														
Degree of Protection	IP67 / NEMA 6														
Material	• Enclosure Aluminum alloy • Glass Tempered glass														
LED Service Life	60,000 hrs														
Entrance Thread	1 x NPT 3/4"														

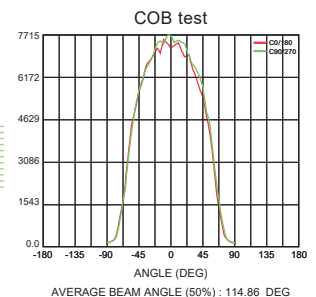


Optical Report

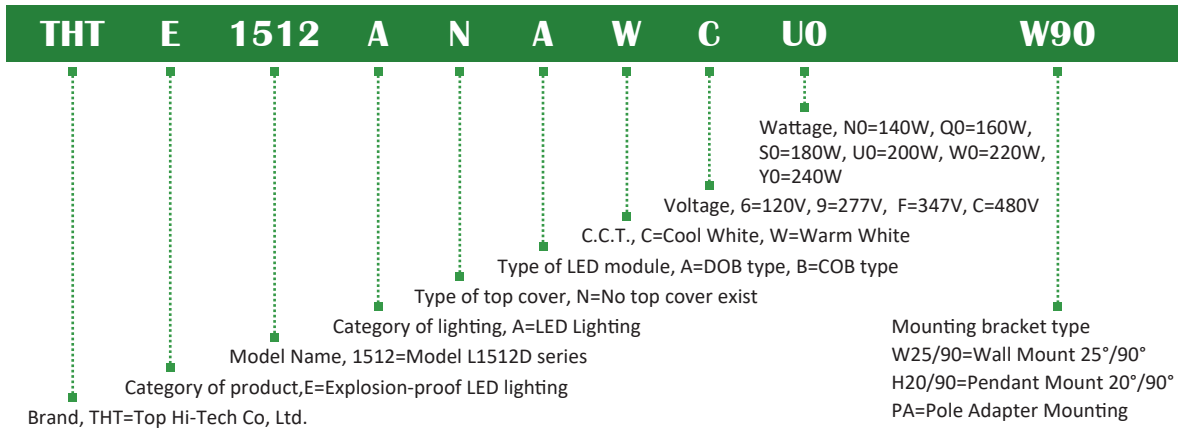
Polar Luminous Intensity Distribution



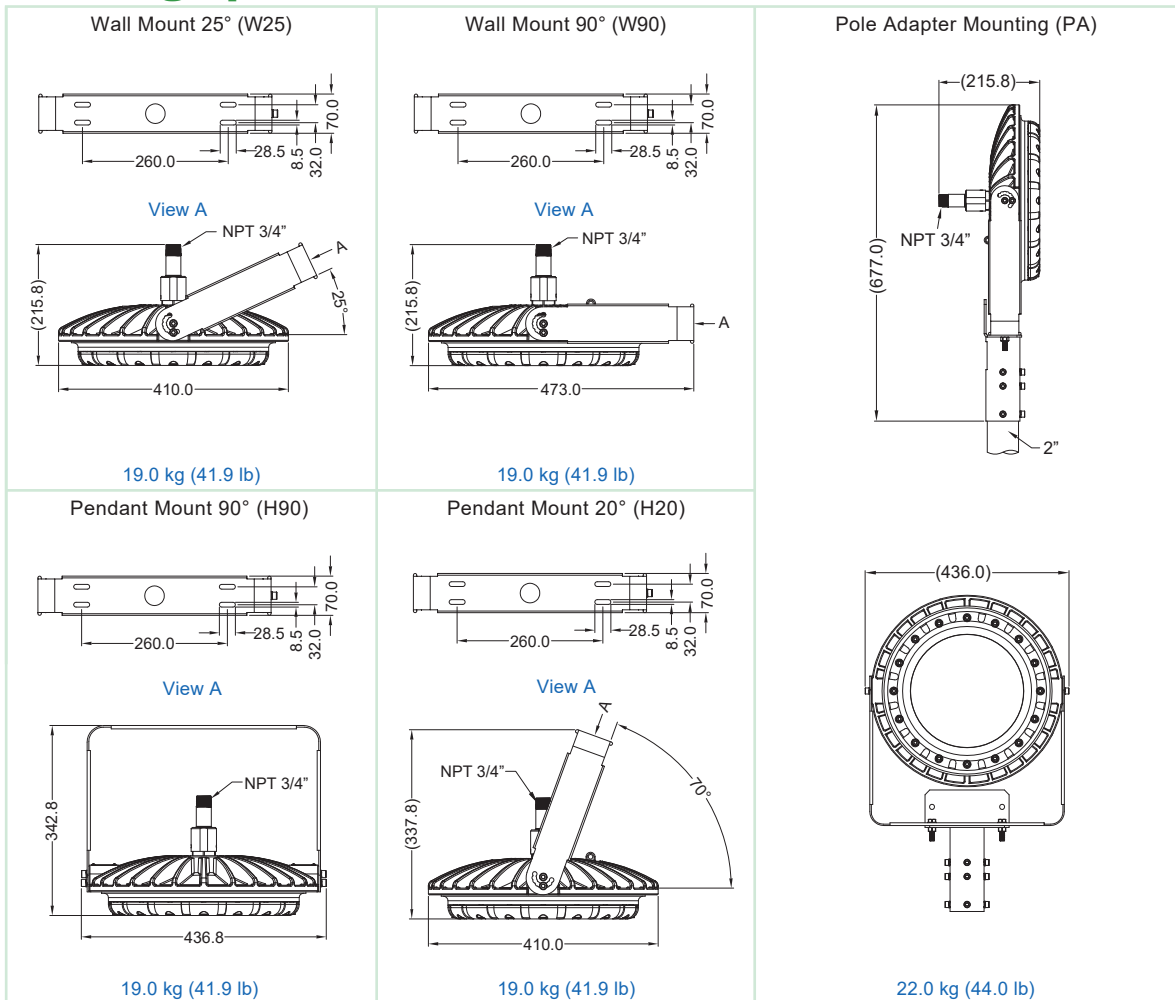
Luminous Intensity Distribution Diagram



Model Code



Mounting Option & Dimensions (All in mm)



Applicable Area

- Oil Refinery Complex
- Painting Facility
- Transporting Liquefied
- Offshore Platform
- Petrochemical Complex
- Transporting Nature Gas
- Petroleum Gas
- (Oil and Natural Gas)