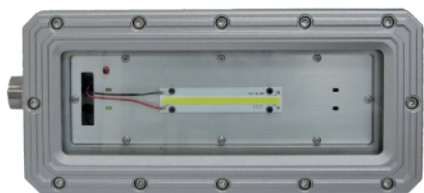


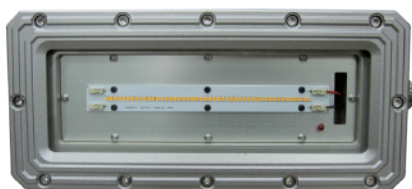


L1320

Universal Explosion-proof Emergency Lighting



10W
(Steady on)



20W

Net Weight: 5.0 kg (11.0 lb)



Protection

- Ex d IIC T6 Gb
- Ex tb IIIC T85°C Db

Standards

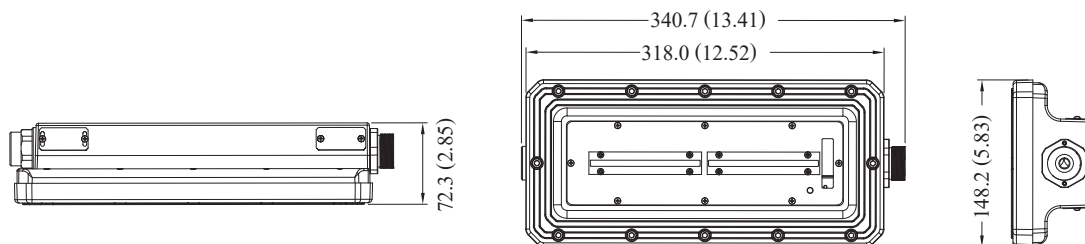
CNS 3376-0
CNS 3376-1
IEC 60079-31

Light Features

- Rugged design
- Provides up to 90 mins. Emergency lighting
- "Always illuminates" type available

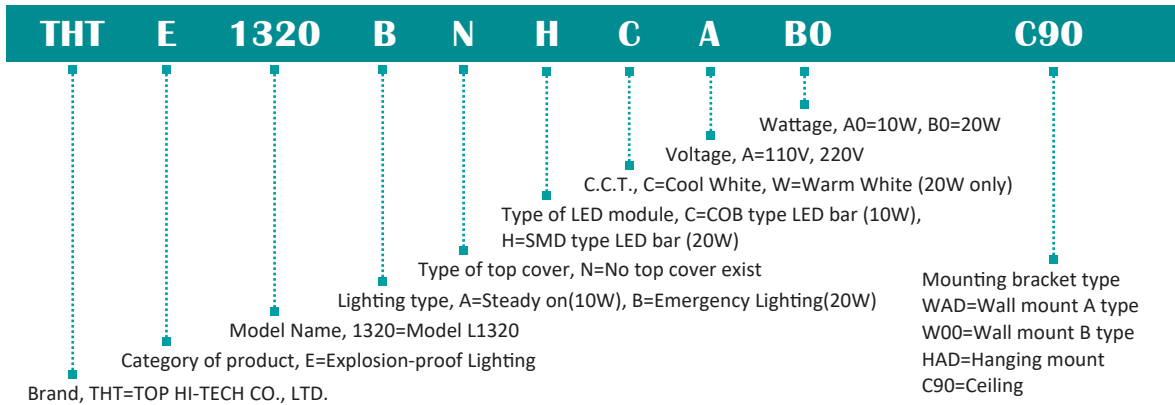
Technical Data

Rated Voltage ($\pm 10\%$)	110V / 220V AC		
Watts ($\pm 10\%$)	10W (Steady on) / 20W		
Lighting time	Over 90 minutes		
Charging Time	48 hours		
Battery Type	NiMH Battery		
Color of LED Light	3000K (Warm White, 20W only) / 5000K (Cool White)		
CRI	Cool White ≥ 70 / Warm White ≥ 80		
Lumen ($\pm 10\%$)		10W	20W
	3000K	—	1900lm
	5000K	1000lm	2000lm
Ambient Temperature	$-20^{\circ}\text{C} \sim +55^{\circ}\text{C}$, T6		
Power Factor	$\cos \geq 0.9$		
Beam Angle	X- 110° / Y- 110°		
Frequency	60 Hz		
Degree of Protection	IP67 / NEMA 6		
Material	• Enclosure • Glass	Aluminum alloy Tempered glass	
LED Service Life	60,000 hrs		
Entrance Thread	1 x M30		

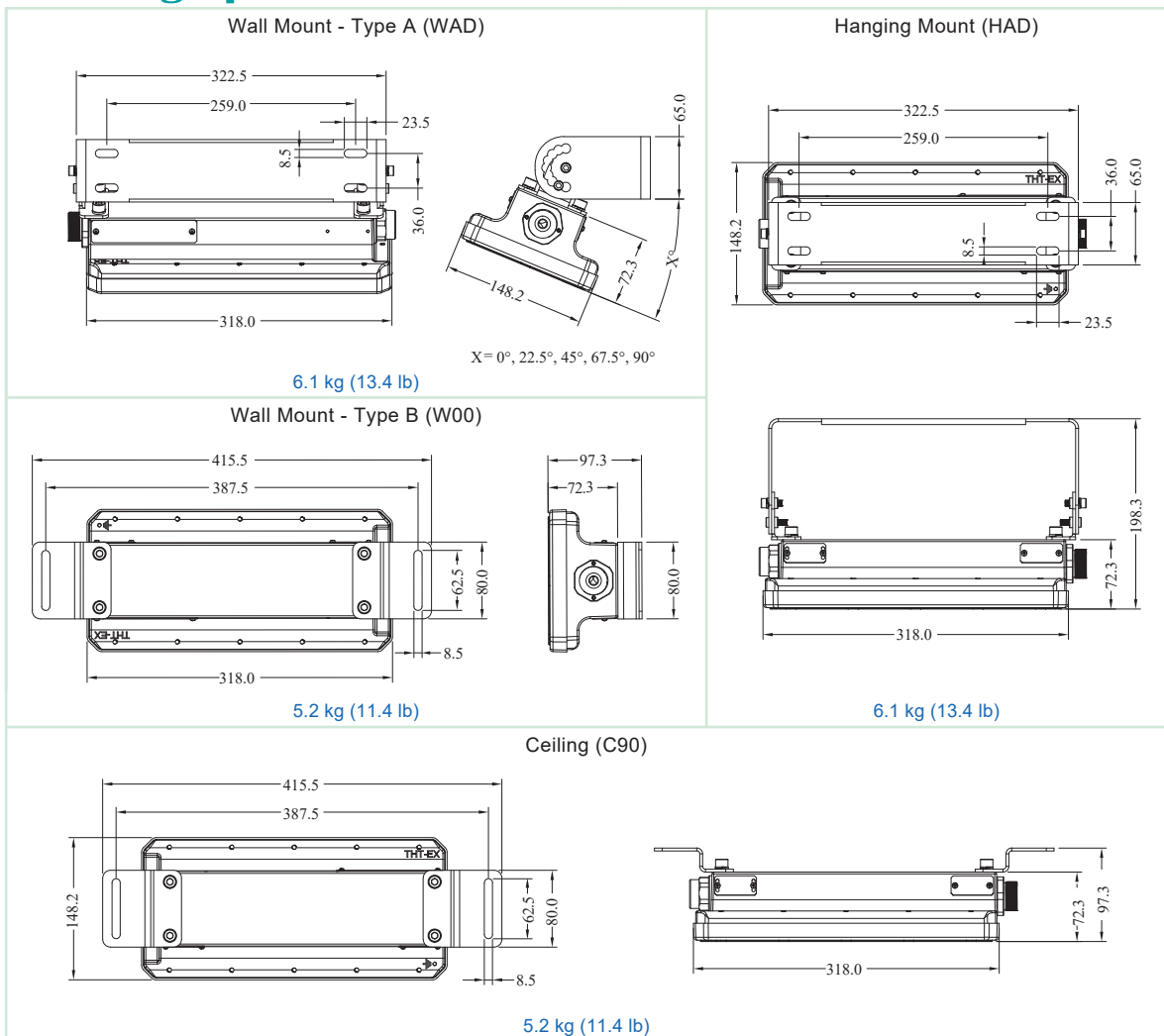


Dimension in Millimeters (inches)

Model Code



Mounting Option & Dimensions (All in mm)



Applicable Area

- Oil Refinery Complex
- Painting Facility
- Transporting Liquefied
- Offshore Platform
- Petrochemical Complex
- Transporting Nature Gas
- Petroleum Gas
- (Oil and Natural Gas)